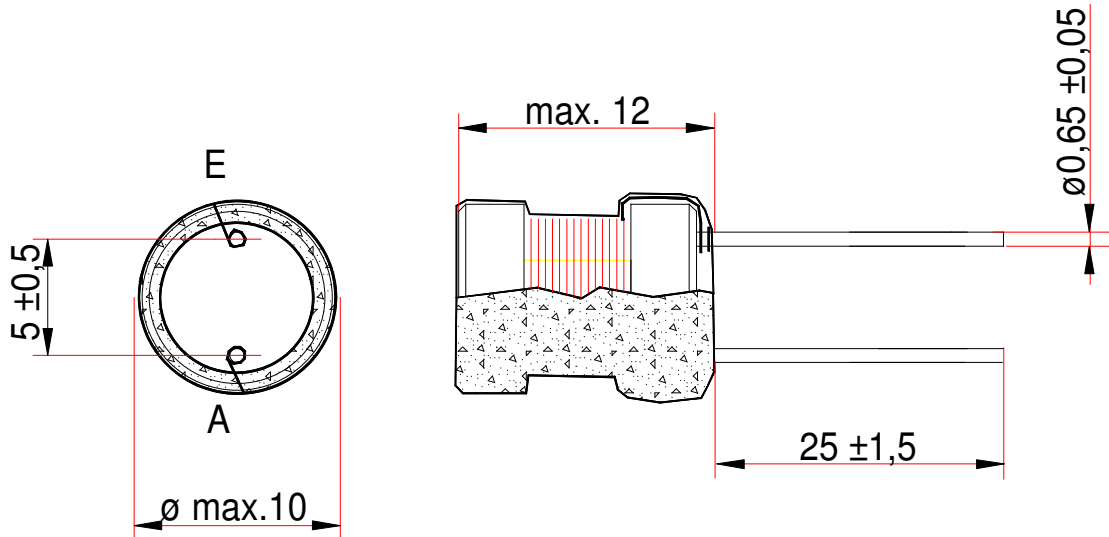


Technical Data Sheet

Customer:
Kaschke Göttingen

Part designation:
DR 270/5

Customer part no.:



Core / material / air gap / AL	GRD 8/10-2B or equiv.	
Nominal inductance	L= 6,8µH ±20%	
maximum transmissible power		
Working frequency		
Transformation ratio		
dielectric strength (50Hz/2s)		
Nominal Current	max. 3,7A (L-10%)	
Design in comp. with standard	I07	
Working / storage temperature	-25 °C- +85 °C	-25 °C- +85 °C
Miscellaneous		
resistance	max. 23 mOhm	

Remarks :

Measuring device of L: **W&K 3260A**

Measuring conditions of L: **250mV/1kHz/25 °C**

Measured quantity	Unit	No. 1	No. 2	No. 3	No. 4	No. 5

Responsible person: Martina Kirchner	Date: 02.06.2006	Design regulation no: 036.230	Index: 03
--	----------------------------	---	---------------------

PLEASE GIVE US YOUR WRITTEN RELEASE

Date Signature