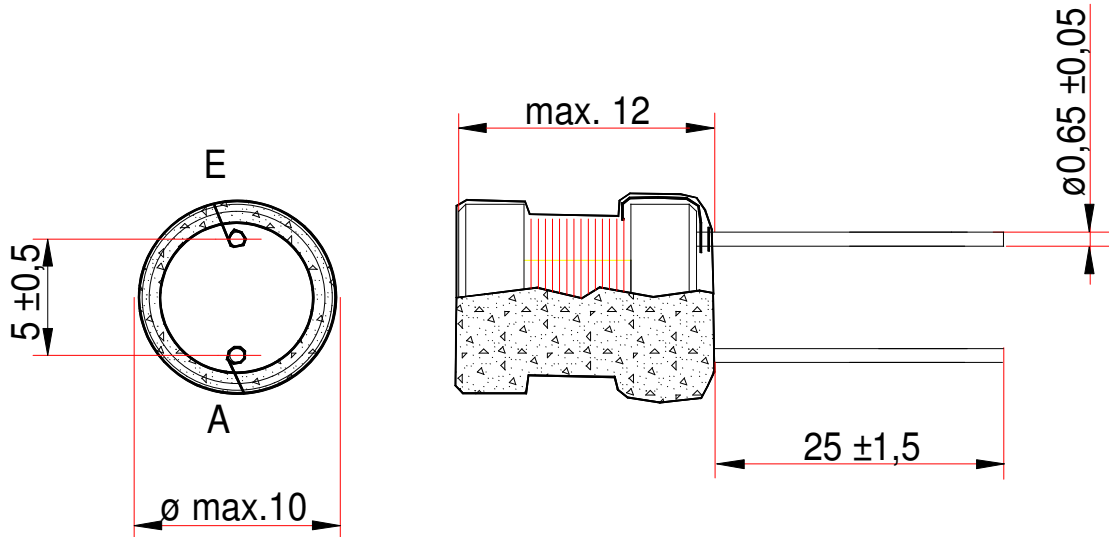


Technical Data Sheet

 Customer:
Kaschke Göttingen

 Part designation:
DR 270/5

Customer part no.:



Core / material / air gap / AL	GRD 8/10-2B or equiv.	
Nominal inductance	L= 4,7µH ±20%	
maximum transmissible power		
Working frequency		
Transformation ratio		
dielectric strength (50Hz/2s)		
Nominal Current	max. 4,3A (L-10%)	
Design in comp. with standard	S07	
Working / storage temperature	-25 °C- +85 °C	-25 °C- +85 °C
Miscellaneous		
resistance	max. 20 mOhm	

Remarks :

 Measuring device of L: **W&K 3260A**

 Measuring conditions of L: **250mV/1kHz/25 °C**

Measured quantity	Unit	No. 1	No. 2	No. 3	No. 4	No. 5

Responsible person:

Martina Kirchner

Date:

02.06.2006

Design regulation no:

036.238

Index:

02
PLEASE GIVE US YOUR WRITTEN RELEASE

Date

Signature