

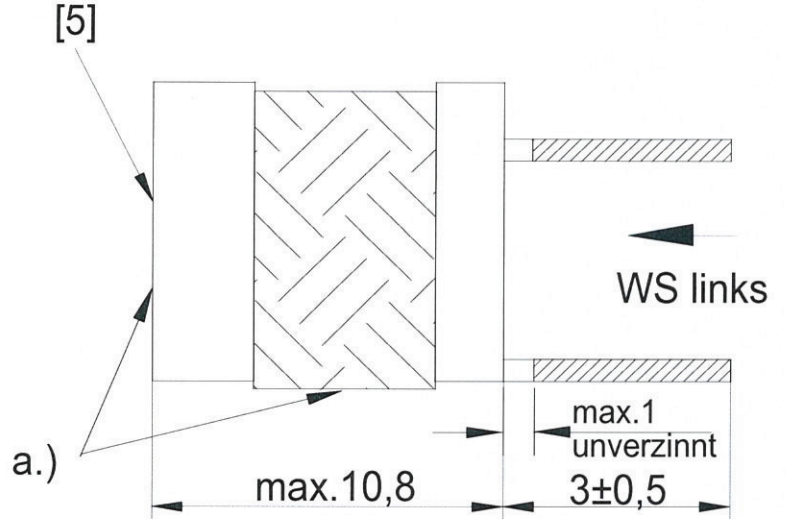
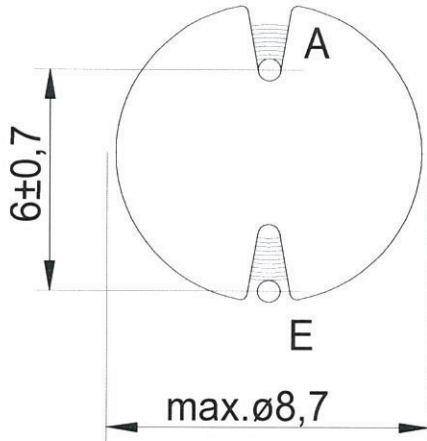
# Technical Data Sheet

Customer:  
**Kaschke Göttingen**

Part designation:  
**DR-GR 8/10**

Customer part no.:

dt:/bv/gr8.dwg



|                                |                               |                     |
|--------------------------------|-------------------------------|---------------------|
| Core / material / air gap / AL | <b>GR 8/3,5/10L or equiv.</b> |                     |
| Nominal inductance             | <b>L= 220µH ±10%</b>          |                     |
| maximum transmissible power    |                               |                     |
| Working frequency              |                               |                     |
| Transformation ratio           |                               |                     |
| dielectric strength (50Hz/2s)  |                               |                     |
| Nominal Current                | <b>max. 1,05A</b>             |                     |
| Design in comp. with standard  | <b>S07</b>                    |                     |
| Working / storage temperature  | <b>-25°C- +125°C</b>          | <b>-25°C- +85°C</b> |
| Miscellaneous                  |                               |                     |
| Resistance (Rdc)               | <b>max. 340 mOhm</b>          |                     |

Remarks :

Measuring device of L: **WK 3260A**

Measuring conditions of L: **10kHz/50mV/25°C**

| Measured quantity | Unit | No. 1 | No. 2 | No. 3 | No. 4 | No. 5 |
|-------------------|------|-------|-------|-------|-------|-------|
|                   |      |       |       |       |       |       |
|                   |      |       |       |       |       |       |
|                   |      |       |       |       |       |       |
|                   |      |       |       |       |       |       |
|                   |      |       |       |       |       |       |
|                   |      |       |       |       |       |       |
|                   |      |       |       |       |       |       |
|                   |      |       |       |       |       |       |
|                   |      |       |       |       |       |       |
|                   |      |       |       |       |       |       |

|  |                            |   |                     |
|--|----------------------------|---|---------------------|
| Responsible person:<br><b>Martina Kirchner</b> | Date:<br><b>08.07.2007</b> | Design regulation no:<br><b>036.617</b> | Index:<br><b>00</b> |
|--|----------------------------|---|---------------------|

**PLEASE GIVE US YOUR WRITTEN RELEASE**

Date Signature