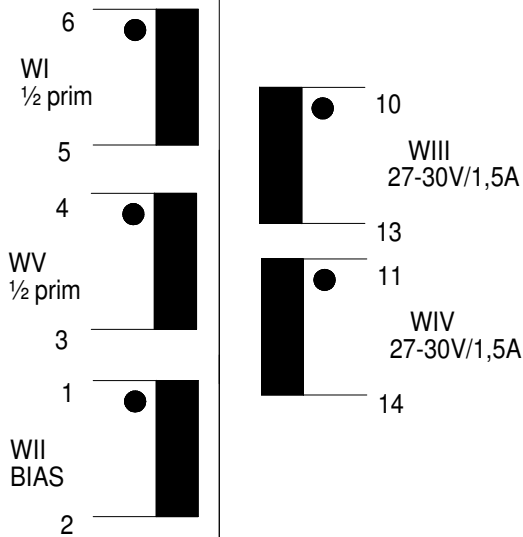
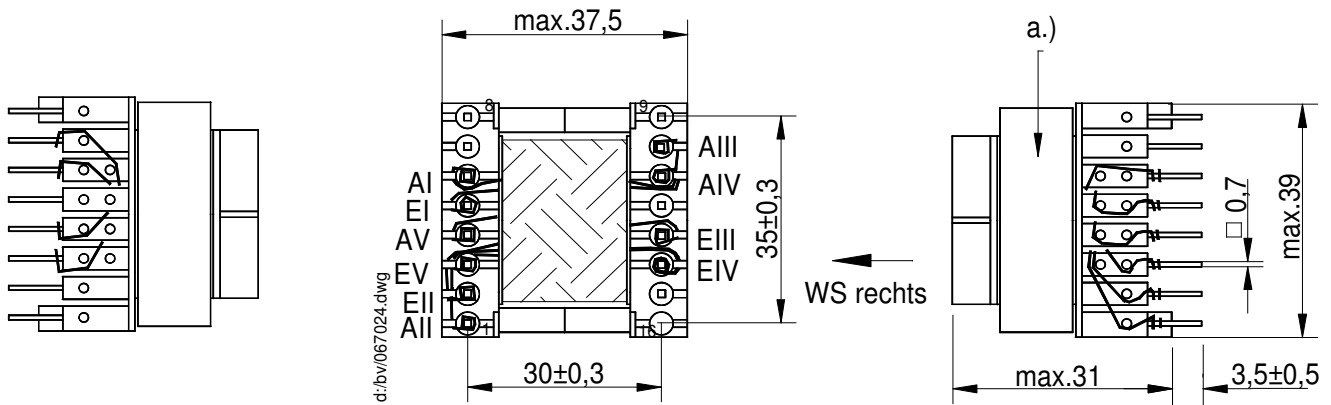


# Technical Data Sheet

Customer:  
**Kaschke Göttingen**

Part designation:  
**SP-E 36/11**

Customer part no.:  
**SKOP248-30-100**



Core / material / air gap / AL	<b>E36/11 / K2006 or equiv.</b>	
Nominal inductance	<b>LI+IV= 178µH ±10%</b>	
maximum transmissible power	<b>96W(TOP247)</b>	
Working frequency	<b>132kHz</b>	
Transformation ratio	<b>15:4:9:9:15</b>	
dielectric strength (50Hz/2s)	<b>3,75kV (WI/WII/WV - WIII/WIV)</b>	
Nominal Current		
Design in comp. with standard	.	
Working / storage temperature	<b>-25°C- +115°C</b>	<b>-25°C- +85°C</b>
Miscellaneous	<b>F (DIN 40040)</b>	

Remarks : **a.) marking split primary, connect pin 4 and 5 on pcb**

Measuring device of L: **W&K 3260A**

Measuring conditions of L: **50mV/10kHz/22,5°C**

Measured quantity	Unit	No. 1	No. 2	No. 3	No. 4	No. 5

Responsible person:

**Uwe Dickhut**

Date:

**16.05.2007**

Design regulation no:

**067.039**

Index:

**00**

**PLEASE GIVE US YOUR WRITTEN RELEASE**

Date

Signature