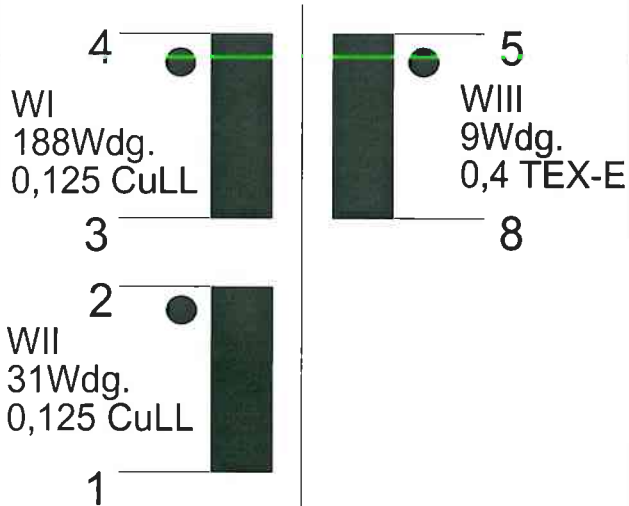
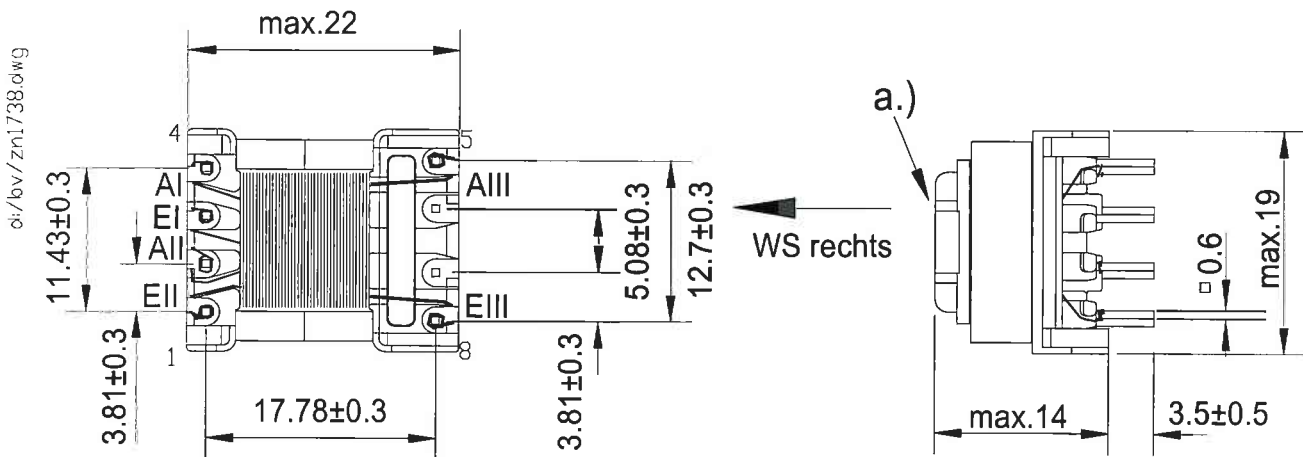


Technical Data Sheet

 Customer:
Kaschke Göttingen

 Part designation:
SP-E 16/5

 Customer part no.:
SLNK564-3,3-2


Core / material / air gap / AL	E 16/5 K2006 oder äquiv.	
Nominal inductance	LI = 4,1mH ± 15%	
maximum transmissible power		
Working frequency	132kHz	
Transformation ratio	188:31:9	
dielectric strength (50Hz/2s)	WI/WII-WIII 3,75kVeff/50Hz/2s	
Nominal Current		
Design in comp. with standard	.	
Working / storage temperature	-25°C- +85°C	-25°C- +115°C
Miscellaneous	F (DIN 40040)	

 Remarks : **a.) marking**

 Measuring device of L: **W&K 3260A**

 Measuring conditions of L: **50mV/10kHz/23°C**

Measured quantity	Unit	No. 1	No. 2	No. 3	No. 4	No. 5
LI	mH	min.	3,81	max.	4,55	
Ls	µH	min.	161	max.	179	

Responsible person:

Markus Häpe

Date:

12.02.2008

Design regulation no:

093.709

Index:

00
PLEASE GIVE US YOUR WRITTEN RELEASE

Date

Signature