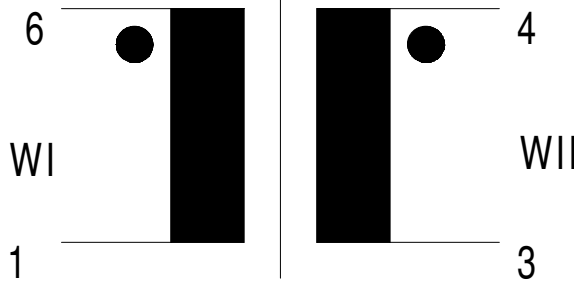
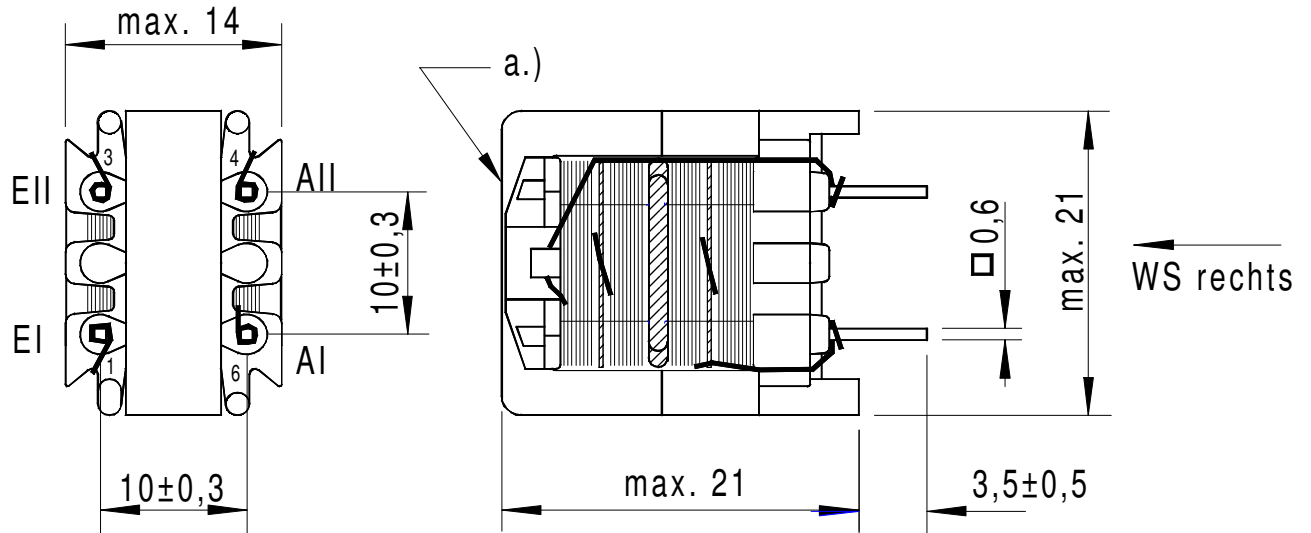


Technical Data Sheet

Customer:
Kaschke Göttingen

Part designation:
SP-E 20/6

Customer part no.:
CM-0,8-22,5mH



Core / material / air gap / AL	E20/6 K6000 or equiv.	
Nominal inductance	L= 2 x 22,5mH ± 30%	
maximum transmissible power		
Working frequency		
Transformation ratio	1:1	
dielectric strength (50Hz/2s)	prim-sec :1,5KVe	
Nominal Current		
Design in comp. with standard	S06	
Working / storage temperature	-25 °C- 125 °C	-25 °C- 85 °C
Miscellaneous	F (DIN 40040)	
RDc	max. 0,75 Ohm	

Remarks : **a.)marking**

Measuring device of L **W&K 3245**

Measuring conditions of L: **50mV/10KHz/25 °C**

Measured quantity	Unit	No. 1	No. 2	No. 3	No. 4	No. 5

Responsible person:
Uwe Dickhut

Date:
16.08.2007

Design regulation no:
094.916

Index:
00

PLEASE GIVE US YOUR WRITTEN RELEASE

Date

Signature