

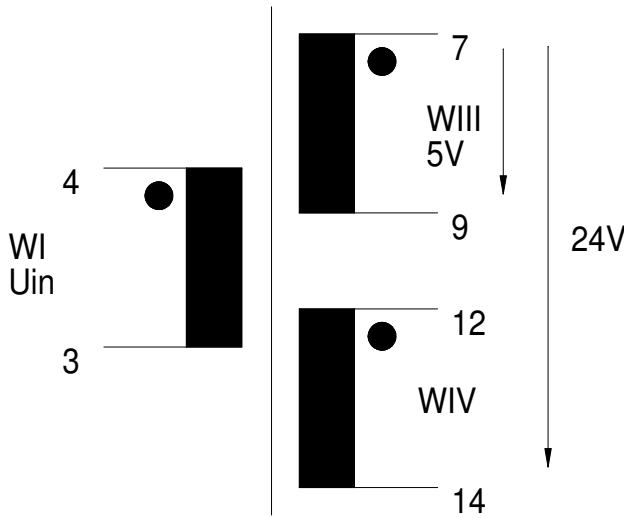
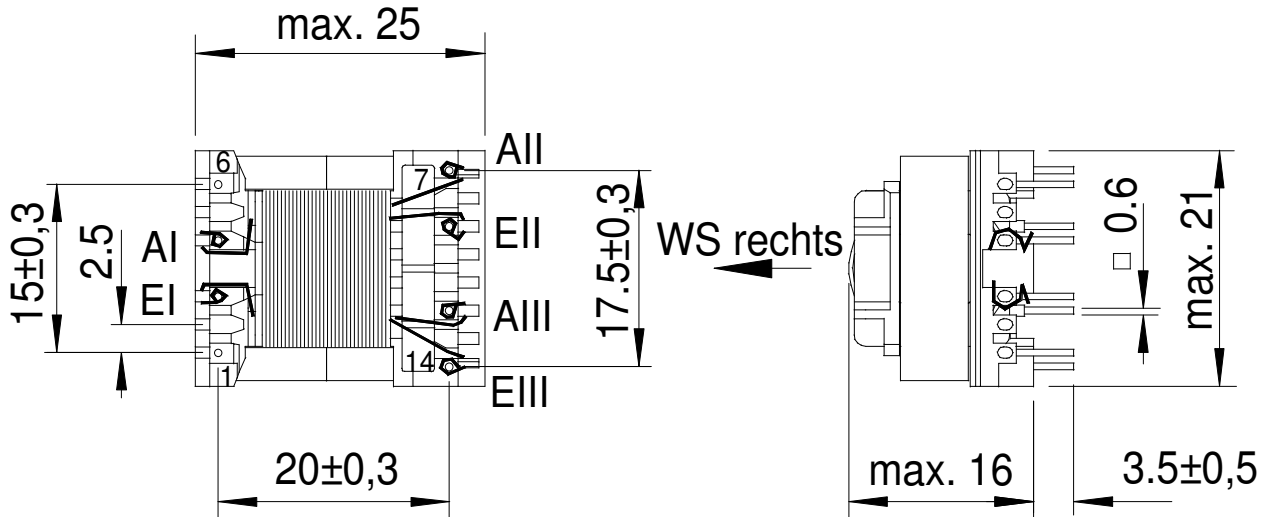
Technical Data Sheet

Customer:
Kaschke Göttingen

Part designation:
SP-E 20/6

Customer part no.:
SKNY267-5-24-14

g:/lv/z1843.dwg



Core / material / air gap / AL	E20/6 K2006 or equiv	
Nominal inductance	LI = 1,90 mH ± 10%	
maximum transmissible power	14W (TNY267 univ.)	
Working frequency	132 kHz	
Transformation ratio	93:5:18	
dielectric strength (50Hz/2s)	WI-WII/WIII = 3,75 K_{Ve}ff/50Hz	
Nominal Current		
Design in comp. with standard	EN61558	
Working / storage temperature	-25 °C- 115 °C	-25 °C- 85 °C
Miscellaneous	F (DIN 40040)	

Remarks : **a.) marking**

Measuring device of L: **W&K 3245**

Measuring conditions of L: **50 mV/10 KHz**

Measured quantity	Unit	No. 1	No. 2	No. 3	No. 4	No. 5

Responsible person:

Uwe Dickhut

Date:

05.05.2006

Design regulation no:

094.944

Index:

00

PLEASE GIVE US YOUR WRITTEN RELEASE

Date

Signature