



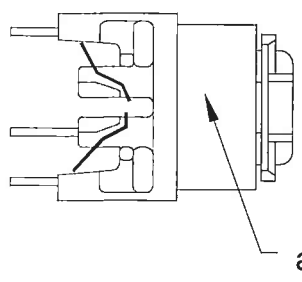
Technical Data Sheet

Customer:
Kaschke Göttingen

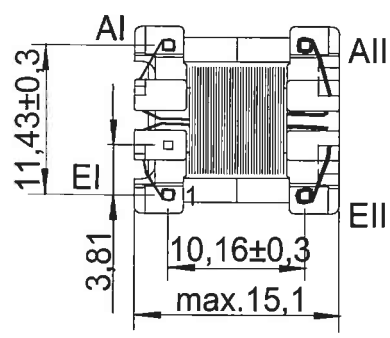
Part designation:
SP-E 13/6

Customer part no.:
SNK500-12-3

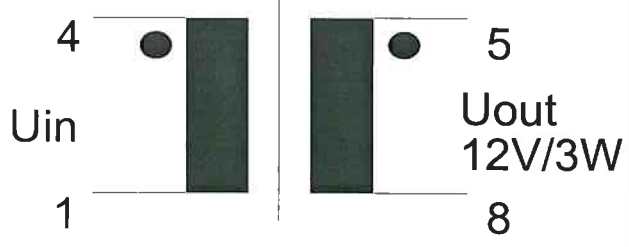
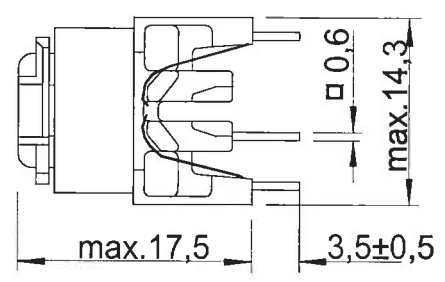
d:/bv/zn1864.dwg



a.)



WS rechts



Core / material / air gap / AL	E13/6 K2006 or equiv.	
Nominal inductance	LI= 2,80 mH ±10%	
maximum transmissible power	3W (50°C)	
Working frequency	44kHz	
Transformation ratio	132:32	
dielctric strength (50Hz/2s)	prim-sec:3,75 kV	
Nominal Current		
Design in comp. with standard	S08	
Working / storage temperature	-25°C- 120°C	-25°C- 85°C
Miscellaneous	F (DIN 40040)	
switcher	Link 500/501-uni	

Remarks : **creepage min.6mm**

Measuring device of L: **W&K 3245**

Measuring conditions of L: **50 mV/10 KHz**

Measured quantity	Unit	No. 1	No. 2	No. 3	No. 4	No. 5

Responsible person: Uwe Dickhut	Date: 15.03.2004	Design regulation no.: 096.903	Index: 00
---	----------------------------	--	---------------------

PLEASE GIVE US YOUR WRITTEN RELEASE

Date Signature